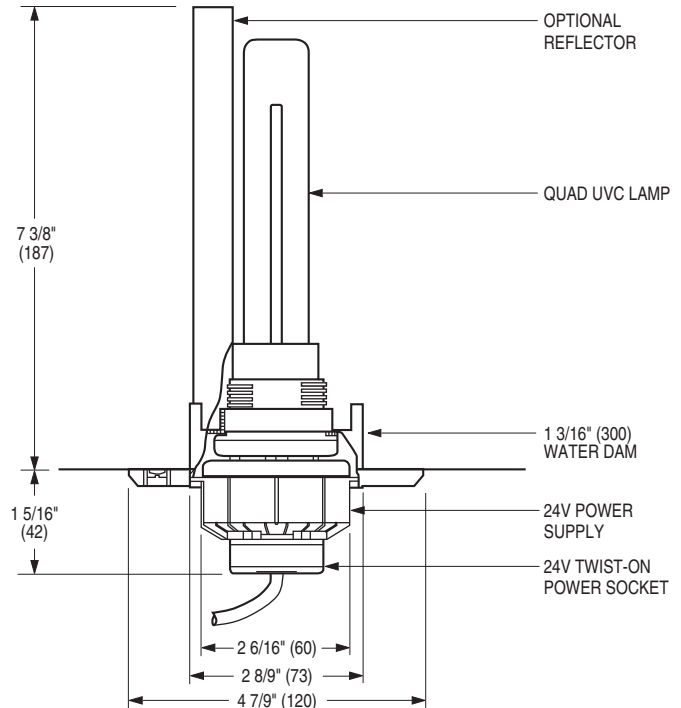


BENEFITS:

- Commercial product quality for unmatched performance.
- Unique 24V convenience, reliability and performance.
- Powerful Quad-Lamp technology for up to 4x greater output.
- Destroys mold and bacteria in drain pans, on coils and in the air.
- Effective on microbes associated with allergies, colds, and flu.
- Lowers coil pressure drop, maintains system efficiency and capacity.
- Improves comfort and reduces run time, and thus energy use.
- Resolves system cleaning issues in small A/C equipment.
- Fast and easy to install and especially to service.
- No need to open or compromise equipment
- Solid one year warranty.

SPECIFICATIONS:

- **FIXTURE** – All fixtures are factory assembled and tested. They consist of a mounting base, gasket, power supply, power socket, lamp socket, lamp, and high spectral reflector.
- **MOUNTING BASE** is constructed of reinforced high performance, industrial light weight plastic for structural integrity and long life. It incorporates a patent pending safety "slide-lock" to prevent accidental UV exposure and an integral Neoprene Gasket to ensure a leak proof installation, safety and serviceability. Its design facilitates mounting from outside the airstream and allowing the lamp to protrude into "conditioned" air. The integral "water dam" prevents water incursion into, or past the fixture when mounted vertically.
- **LAMP SOCKET** is a G24-Q4, sure-grip, snap-in type for quick and secure lamp change-out.



- **LAMP** is a high output, hot cathode, G24 base, 18W quad lamp that produces broadband 250–260nm UV-C and no ozone. It produces the specified output at any air velocity from 1–70°C.
- **POWER SUPPLY** is 24V, high power factor, Class P, Sound Rated A, Type 1 Outdoor type with inherent thermal and end of lamp life protection. Its design maximizes lamp performance over its life in air of from 1–70° C, 100% RH and any velocity. It incorporates a convenient twist-on 24V Power Socket.
- **HIGH SPECTRAL REFLECTOR**, a user optional device, is constructed of aluminum and designed to block and/or reflect 180° of radiated UV-C energy from any user selected direction.
- **INDEPENDENT TESTING** is in accordance with all safety requirements of Underwriters Laboratories.

SCHEDULE TYPE:

PROJECT:

ENGINEER:

CONTRACTOR:

Dimensions are in inches (mm).

DATE

B SERIES

SUPERSEDES

DRAWING NO.

2 - 17 - 09

FC

NEW

FC-FVS