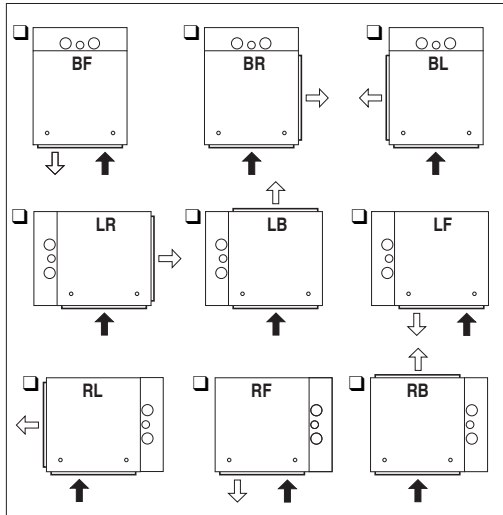


UNIT CONFIGURATIONS FOR RISER LOCATION AND DISCHARGE GRILLE ARRANGEMENT

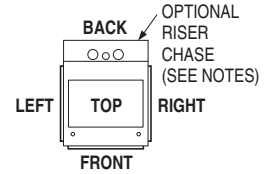
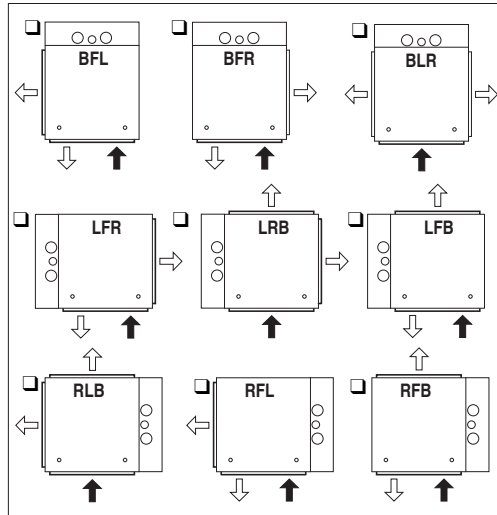
VERTICAL HI-RISE FAN COIL UNITS

MODEL SERIES: 39VH AND 39L

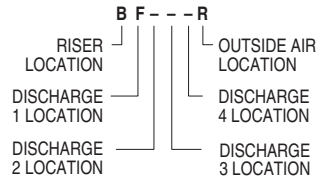
SINGLE SIDE SUPPLY



DOUBLE SIDE SUPPLY



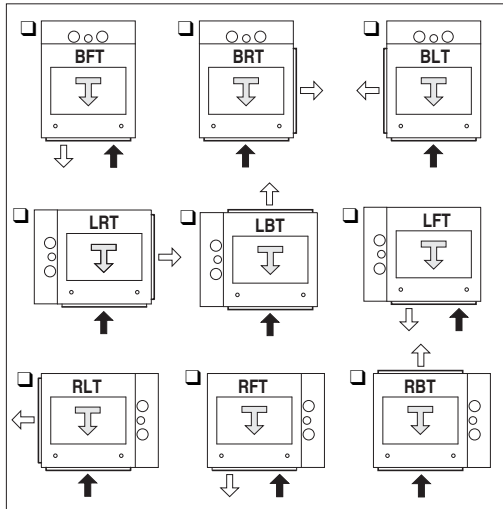
F = FRONT T = TOP B = BACK
L = LEFT R = RIGHT -- = NONE



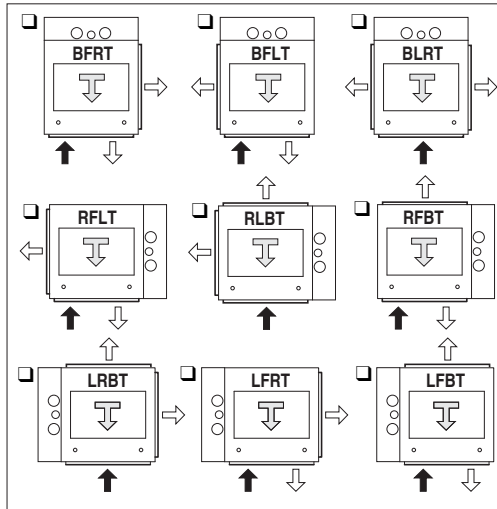
← SUPPLY AIRFLOW

→ RETURN AIRFLOW

TOP AND SINGLE SIDE SUPPLY



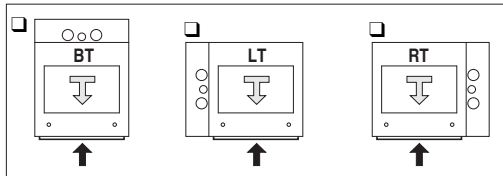
TOP AND DOUBLE SIDE SUPPLY



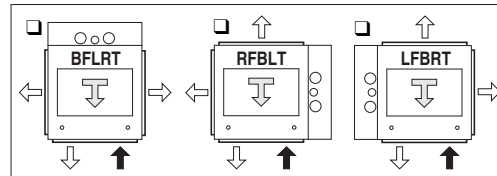
NOTES:

- Return air panel and unit access are always on front of unit.
- A sight and sound baffle are required on units with double supply openings into separate rooms. Not available with top outlets.
- Opposed blade damper on one supply grille for units with double supply outlets.
- Last (6th) optional character refers to outside air location. Options are left or right side only and must be opposite to any left or right riser.
- Type C Stand-alone units shown with optional riser chase. Riser chase not available on Type M Master units. Type A units must be mated to Type B units. For Type B and S units, first character references connection location only (risers are on Type A or M unit respectively).
- Exposed models are available as standard with BF arrangement only.

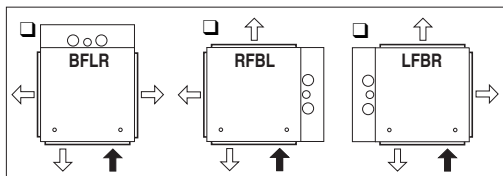
TOP ONLY SUPPLY



TOP AND TRIPLE SIDE SUPPLY



TRIPLE SIDE SUPPLY



SCHEDULE TYPE:

PROJECT:

ENGINEER:

CONTRACTOR:

Dimensions are in inches (mm).

DATE

B SERIES

SUPERSEDES

DRAWING NO.

10 - 20 - 07

39

NEW

39VH/L-1