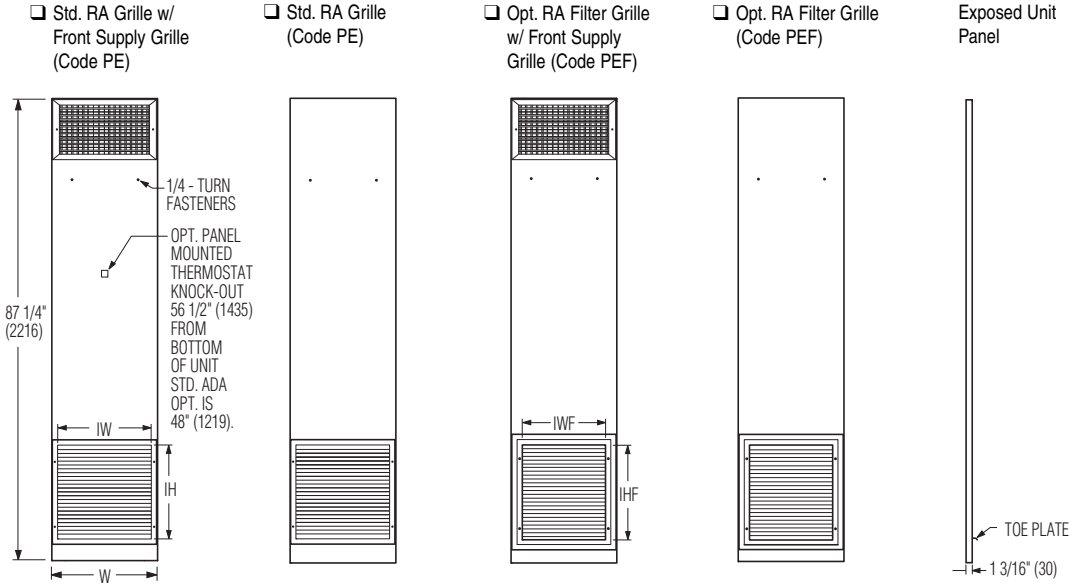


## RETURN AIR PANELS FOR VERTICAL HI-RISE FAN COIL UNITS TYPE E (EXPOSED) MODEL SERIES: 39VH AND 39L

### EXTENDED FULL LENGTH COVER (WITH INTEGRAL FRONT SUPPLY GRILLE WHERE SPECIFIED)



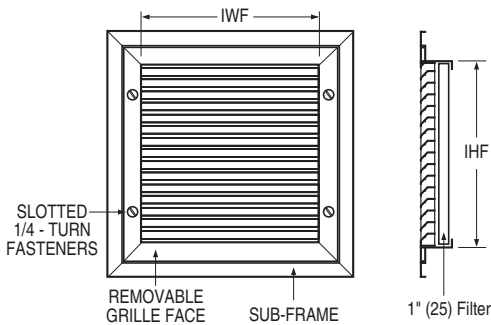
### Dimensions:

Unit Size	W	Standard Return Air Grille IW x IH	Optional Return Air Filter Grille IWF x IHF
3, 5, 6	18 (457)	16 x 15 (406 x 381)	14 x 15 (356 x 381)
8, 10	20 (508)	18 x 21 (457 x 533)	16 x 21 (406 x 533)
12, 15	24 (610)	22 x 26 (559 x 660)	20 x 26 (508 x 660)
19, 21	30 (762)	28 x 26 (711 x 660)	26 x 26 (660 x 660)

### NOTES:

- All front panels feature a high free area louvered return grille.
- A removable face filter return grille is available. This option eliminates having to remove the front panel for easier filter replacement.
- Hi-Rise fan coil units designed for exposed installation feature a full length front panel with integral front supply grille where specified. These one piece panels mount flush and completely cover the front of the unit. The entire fan coil unit on the non-riser sides is also painted to match. An optional ceiling shroud extension for the fan coil unit is also available.
- Thermostat mounting option: A 7/8" (22.2) knock-out is provided on the return panel where this option is specified. Where the mounting location is to be in accordance with the Americans with Disabilities Act (ADA), the thermostat mounting height is lower than standard; 48" (1219) above the floor.
- Standard finish is a durable baked enamel powder coat, AW Appliance White. Custom colors are available.

### Optional Aluminum Filter Grille:



SCHEDULE TYPE:

PROJECT:

ENGINEER:

CONTRACTOR:

Dimensions are in inches (mm).

DATE

B SERIES

SUPERSEDES

DRAWING NO.

10 - 20 - 07

39

NEW

39VH-7