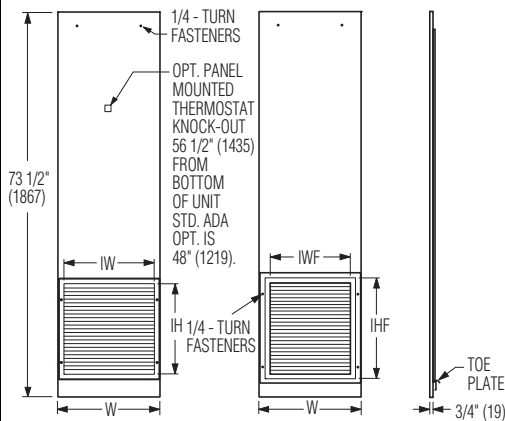


## RETURN AIR PANELS FOR VERTICAL HI-RISE FAN COIL UNITS

TYPE C (CONCEALED), A/B PAIRED, M (MASTER), S (SLAVE)  
**MODEL SERIES: 39VH**

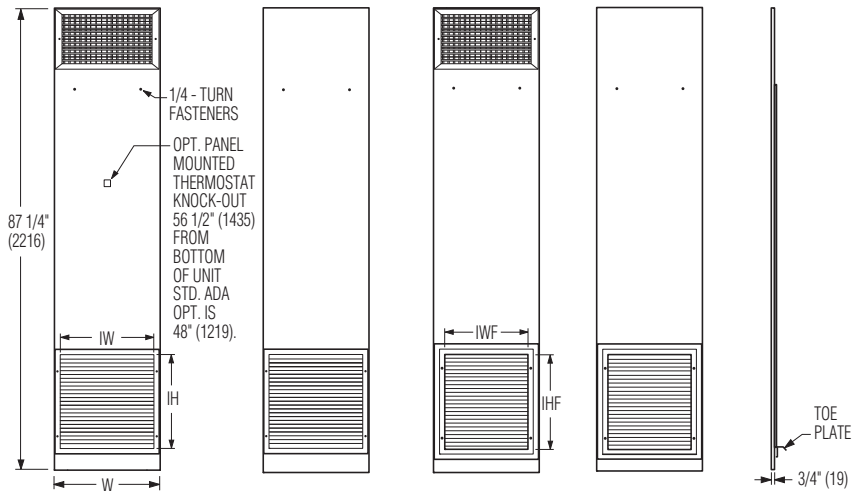
### STANDARD FRONT RETURN AIR PANEL FOR CONCEALED UNITS • SEPARATE SUPPLY GRILLE

- Std. RA Grille (Code PS)
- Opt. RA Filter Grille (Code PSF)
- Furred In Unit Panel (Concealed Drywall)



### OPTIONAL FRONT RETURN AIR PANELS FOR CONCEALED UNITS • EXTENDED COVER (WITH INTEGRAL FRONT SUPPLY GRILLE WHERE SPECIFIED)

- Std. RA Grille w/ Front Supply Grille (Code PSX)
- Std. RA Grille (Code PSX)
- Opt. RA Filter Grille w/ Front Supply Grille (Code PSXF)
- Opt. RA Filter Grille (Code PSXF)
- Furred In Unit Panel (Concealed Drywall)



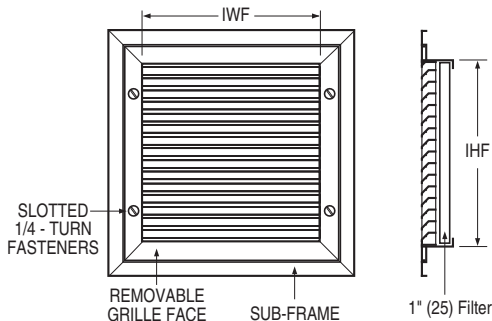
#### Dimensions:

Unit Size	W	Standard Return Air Grille IW x IH	Optional Return Air Filter Grille IWF x IHF
3, 5, 6	18 (457)	16 x 15 (406 x 381)	14 x 15 (356 x 381)
8, 10	20 (508)	18 x 21 (457 x 533)	16 x 21 (406 x 533)
12, 15	24 (610)	22 x 26 (559 x 660)	20 x 26 (508 x 660)
19, 21	30 (762)	28 x 26 (711 x 660)	26 x 26 (660 x 660)

#### NOTES:

- All front panels feature a high free area louvered return grille.
- A removable face filter return grille is available. This option eliminates having to remove the front panel for easier filter replacement.
- The standard reduced height front panels are designed for (furred-in) unit installation concealed by drywall [ 1/2" to 5/8" (13 to 16)] only.
- Optional full cover front panels with integral grille are also available for concealed drywall installation.
- Thermostat mounting option: A 7/8" (22.2) knock-out is provided on the return panel where this option is specified. Where the mounting location is to be in accordance with the Americans with Disabilities Act (ADA), the thermostat mounting height is lower than standard; 48" (1219) above the floor.
- Standard finish is a durable baked enamel powder coat, AW Appliance White. Custom colors are available.

#### Optional Aluminum Filter Grille:



**SCHEDULE TYPE:**

**PROJECT:**

**ENGINEER:**

**CONTRACTOR:**

Dimensions are in inches (mm).

**DATE**

**B SERIES**

**SUPERSEDES**

**DRAWING NO.**

10 - 20 - 07

39

NEW

39VH-6