

LOW BOY VERTICAL FAN COIL UNIT OPTIONS MODEL SERIES: 39MU (UPDRAFT) 39MD (DOWNDRAFT)

POWER - Standard Supply Voltage (60 Hz):

Single Phase:

- 120V 208V 240V 277V

Three phase - 60Hz (delta):

- 208V

Three phase - 60Hz (4 wire wye):

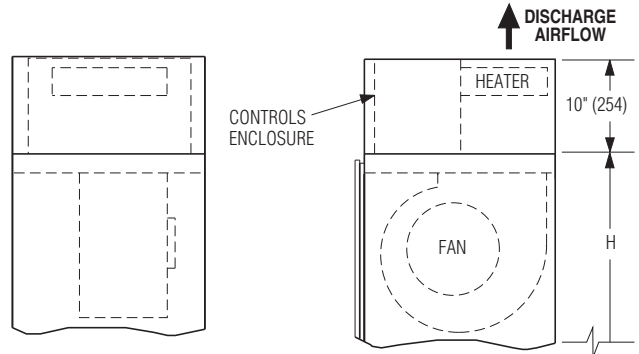
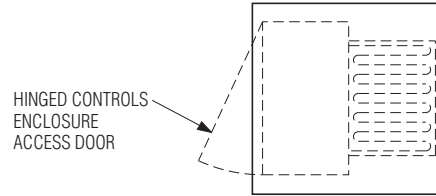
- 480V 600V

STANDARD FEATURES INCLUDE:

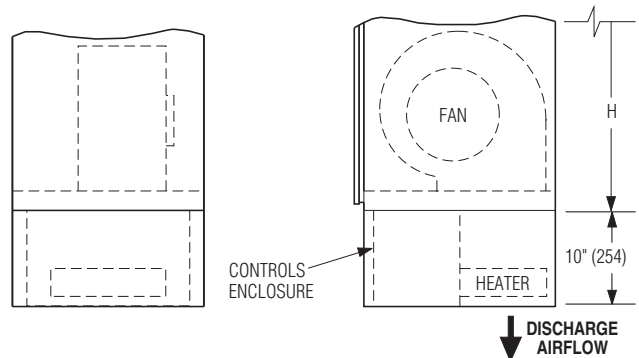
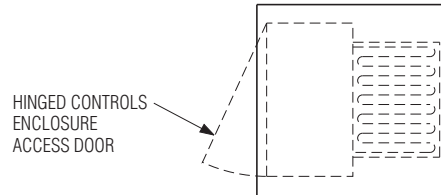
- Heater is installed on unit discharge.
- Controls enclosure incorporates a hinged door and is recessed inside the heater unit. The enclosure is top mounted on updraft unit and bottom mounted on downdraft unit.
- Insulated coil element wrapper.
- Automatic reset high limit cut-outs (one per element).
- Single point electrical connection for entire fan coil unit.
- Fan interlock relay.
- Fan coil unit with electric heat is ETL Listed as an assembly.

OPTIONS:

- Dust tight construction.
- Quiet contactors.
- Mercury contactors.
- Power circuit fusing.
- Class 'A' 80/20 Ni./Cr. Wire.
- Toggle disconnect switch.
- Door interlock disconnect switch.
- Manual reset secondary thermal cut-out.
- Airflow safety switch.
- Custom build sub-base.
- Special features: _____.



39MU UPDRAFT HEATER SECTION



39MD DOWNDRAFT HEATER SECTION



Dimensions are in inches (mm).

SCHEDULE TYPE:

PROJECT:

ENGINEER:

CONTRACTOR:

DATE

B SERIES

SUPERSEDES

DRAWING NO.

11 - 13 - 07

39

NEW

39MU/MD-1